

GAMERA SUIT

BY TONY

It is very important to measure over winter clothing, weight vests and shoes if worn.

Shipping (office use only)

Date out _____

Type of Shipping _____

Male Female

Height _____

Weight _____

Shoe Size _____

D shoulder tip to shoulder tip

C shoulder tip to elbow

B elbow to wrist

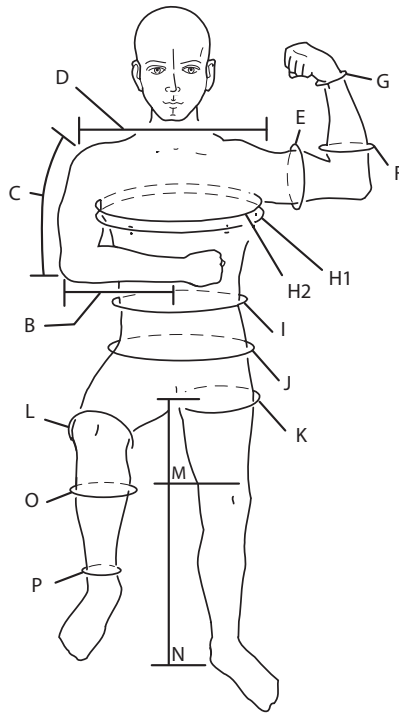
L above kneecap (leg flexed)

O calf widest point

M crotch to top of kneecap

N crotch to floor

P ankle



G wrist

F forearm (flexed)

E bicep (flexed)

H1 chest	H2 upper chest (arms down)	women cup size	neck
----------	----------------------------	----------------	------

I waist

J hips and buttocks (at widest point)

K thigh at widest point (leg straight)

Z

Measure from the hole in the throat, down under the crotch, up the back, to the bone at the base of the neck.

Z MEASUREMENT

Q1 ARMPIT TO TOP OF LATERAL BAND

Q1 _____

Measure from armpit to top of lateral band.

Q2 MIDRIFF Measure from outside of both lift webs over belly button.

Q2 _____

(These measurements must be taken wearing your rig).

WING COLORS

FRONT of WINGS

Slick Nylon Print \$10Extra

BACK of WINGS (check one)

Supplex 4 - Ply Print \$10Extra

BINDING TAPE (on the leading edge of the wing)

SUIT COLORS

BODY FRONT (check one)

Slick Nylon Supplex 4 - Ply Print \$10Extra

LEGS FRONT (check one)

Supplex 4 - Ply Print \$10Extra

LEGS BACK (check one)

Supplex 4 - Ply Print \$10Extra

SIDES

Supplex 4 - Ply Print \$10Extra

BACK

Spandex Supplex 4 - Ply

FORE ARM (check one)

Spandex Supplex 4 - Ply Print \$10Extra

(not with C wing)

BOOTIES

- Regular \$50
- Mega \$50
- Mega XL \$50

- Vented \$25
- Cordura \$15
- _____ color
- Parapac \$15
- _____ color

- With leg zip \$20 not with XL

RUSH SERVICE \$40

2 - 4 WEEKS

DEPENDS ON SEASON

Suit prices are subject to change without notice

EXTRAS

- Mesh Lined Front \$25
- Reinforced Arms & Legs \$20 (for heavier jumpers)
- Extra Pocket (front right thigh) \$10
- Jack the Ripper Pocket with Knife \$20
- Inseam Zips \$20
- V-Zips (tapers the leg) \$20 (not with bootie suit)

- Kneepads \$8 Cordura (double layer standard) Parapac (check one only)
- Buttpad \$10 Cordura (double layer standard) Parapac (check one only)
- Leg Cuffs \$25
- High Collar \$15
- Stirrups \$10
- 2 Belly Cargo Pockets \$30 (outside, lower front)

Stripes on wing (see the back of this form for an illustration)

(Write in Stripe colors)

_____ \$10 _____ \$10 _____ \$10

- Extra Rings \$5
- R.S.L. Release \$30

PRICES

- A Wing \$260..... hip to mid-forearm
- B Wing \$235..... waist to mid-forearm
- C Wing \$270..... waist to wrist on front of arm (for sit and flat flying)
- C/B Wing \$255.... C-Wing to waist
- D Wing \$280..... mid thigh to elbow, with velcro® sandwich (see back)

Suit	\$ _____
Extras	\$ _____
Sub-total	\$ _____
FL. Only 7%	\$ _____
RUSH	\$ _____
Handling	\$ 2.00
Shipping	\$ _____
TOTAL	\$ _____



SHIPPING AND PAYMENT INFORMATION

Name: _____

Dealer: **Skydive Store Inc.**

E-Mail Address: _____

Ship To: _____

Phone: _____

Fax #: _____

Check or Money Order Payable To Tony Suits, Inc

M/C VISA DISCOVER AMERICAN EXPRESS

#: _____

Exp. Date /

Card Holders Signature

Revision date: MAY 2006

We are not responsible for any duties or import taxes that may be incurred when shipped overseas.

FOR SHIPPING RATES: SEE WEB SITE
SHIPPING OUTSIDE OF USA: PLEASE CALL FOR RATES



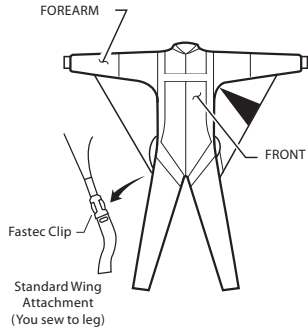
Skydive Store Inc Phone - 570-588-7576 - Fax - 570-588-5650

TONY
SUIT

THE CAMERA SUIT OPTIONS (some options not illustrated; all options listed on front)

We use nylon on the front of the wing for more lift, and polycotton or supplex on the back for support. All Camera Suits come with swoop cords.

CAUTION: Type A wing could cause a malfunction if used with the wrong deployment system. i.e. leg straps or bellyband throw aways.



TYPE A WING

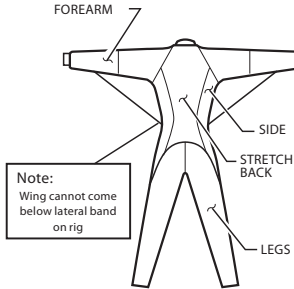
Standard wing attachment is from mid forearm to just below leg strap, and fastens with a fastec clip. For pullout, ripcord, or bottom of container throw away. It's possible to have a R.S.L. release on type "A"

REINFORCED ARMS AND LEGS

A layer of heavier fabric sewn to the inside of the forearms and the back of the legs to add drag.

(For heavier jumpers.)

AVAILABLE WITH ALL WING STYLES

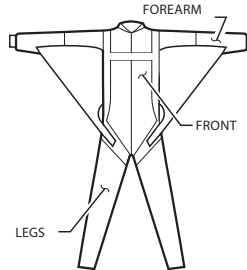


TYPE B WING

Standard wing attachment is from mid forearm to waist. For leg strap or belly band throw-away.

Our standard Camera Suit (shown above) has a spandex back. For no spandex bodies, just spandex wrist cuffs we offer the Space Camera Suit.

Note:
The "C" wing is intended for camera flyers to fly flat & sit. The main difference between the C & A is the C comes up on the arm like a sit wing and is connected to the leg strap for a solid fix.

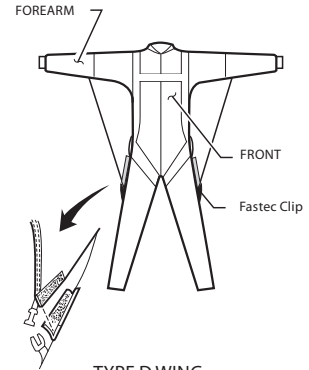


TYPE C WING

The "C" Wing passes around the leg strap and re-attaches back upon itself. Swoop cords tighten the wing. The standard wing comes with a Fastec clip that has a loop attached. You feed your leg strap through the loop. This is a more secure anchor point as it can not move. Brass R.S.L. releases are available for \$30 extra.

We use nylon on the front of the wing for more lift, and polycotton or supplex on the back for support. All Camera Suits come with swoop cords.

CAUTION: Type D wing could cause a malfunction if used with the wrong deployment system. i.e. leg straps or bellyband throw aways.



TYPE D WING

Standard wing attachment is from the elbow to mid thigh, and fastens with velcro and a fastec clip. For pullout, ripcord, or bottom of container throw away.

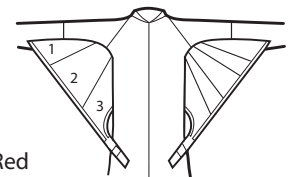
THE CAMERA SUIT COLOR LIST

BINDING TAPE COLORS (around wings)

White	Black	Rust	Peacock
Navy	Kelly Green	Forest Green	Pink
Royal Blue	Purple (LT)	Beige	Flo Yellow
Denim	Grey	Brown	Smoke
Silver	Maroon	Gold	Magenta
Blue	Red	Yellow	Purple
Light Powder Blue	Pale Pink	Flo Green	Emerald
Dark Powder Blue	Orange	Flo Orange	

NYLON

Royal Blue	Red
Pale Blue	Kelly Green
Navy	Gold
White	Purple
Silver	Turquoise
Black	Hot Purple
Maroon	Peacock



SUIT COLORS

SPANDEX

Gold	Orange
Black	Burgandy
Purple	Light Blue
Silver	
Red	
White	
Navy	
Royal Blue	

4-PLY

Creme	Maroon
Olive	Royal Blue
Khaki	Steel
Pale Blue	Silver
Orange	White
Charcoal	Gold
Black	Purple
Forest Green	Lime
Red	Pink
Navy	

SUPPLEX (Light) any and all weights

Royal Blue	Magenta	Hot Purple
Black	White	Forest Green
Navy	Red	Blk&Wht Checker
Silver	Purple	
Pink	Maroon	
Turquoise	Yellow	
Charcoal	Orange	

OFFICE ONLY

Draw	Date		
Cut	Date		
Start	Date		
O/L	Date		
Finish	Date		
Ck1	Ck2	Ck3	Ck4

NOTE: We reserve the right to discontinue colors that are not up to our standard, as dye lots vary. We can't guarantee the color, fading, or bleeding.